

Use small brackets with air cleaners

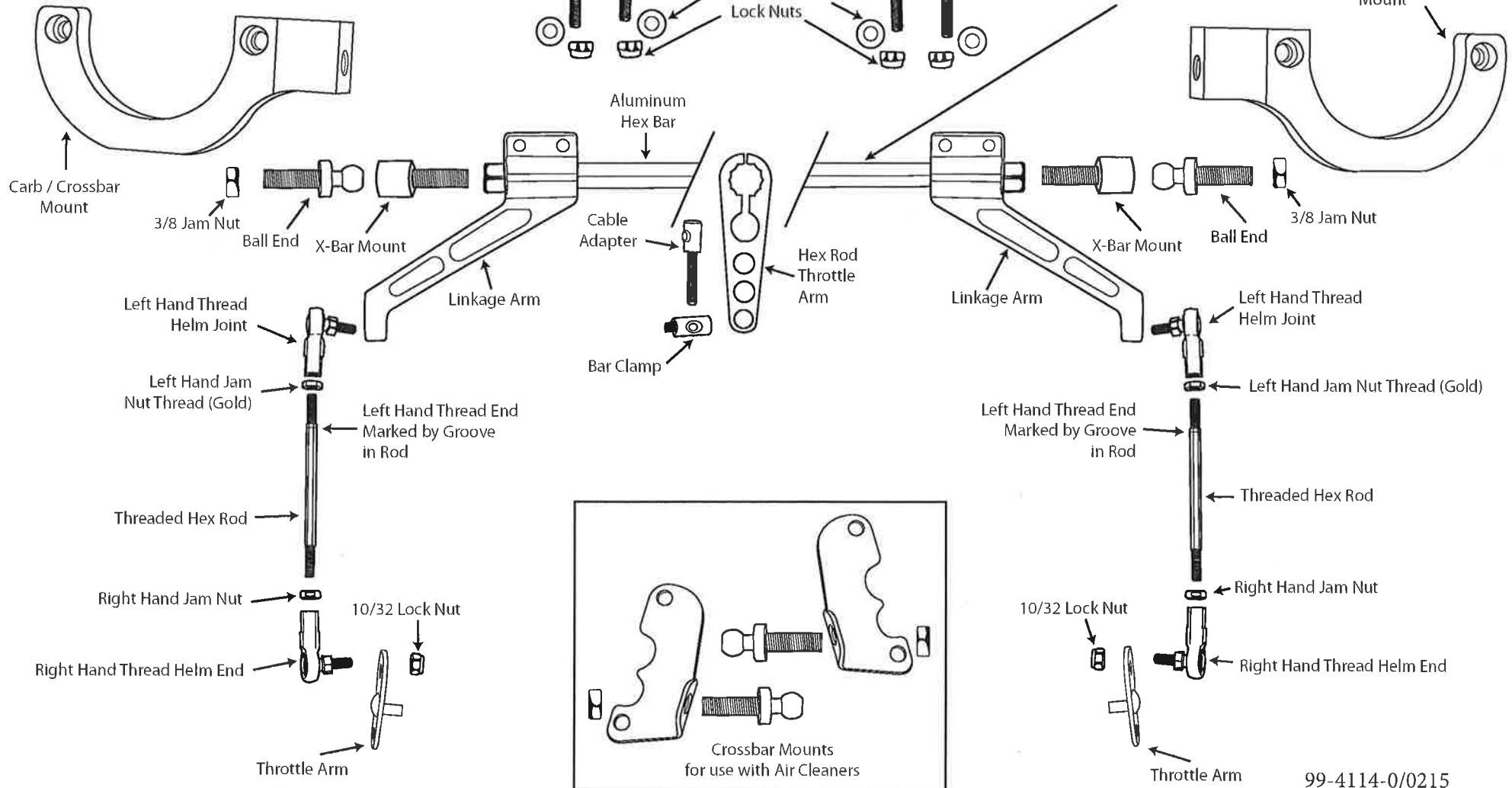


# Hex X-Bar Linkage

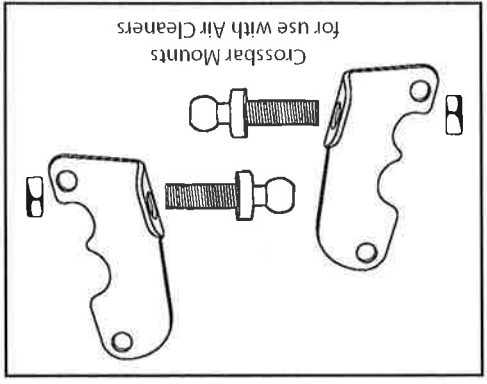
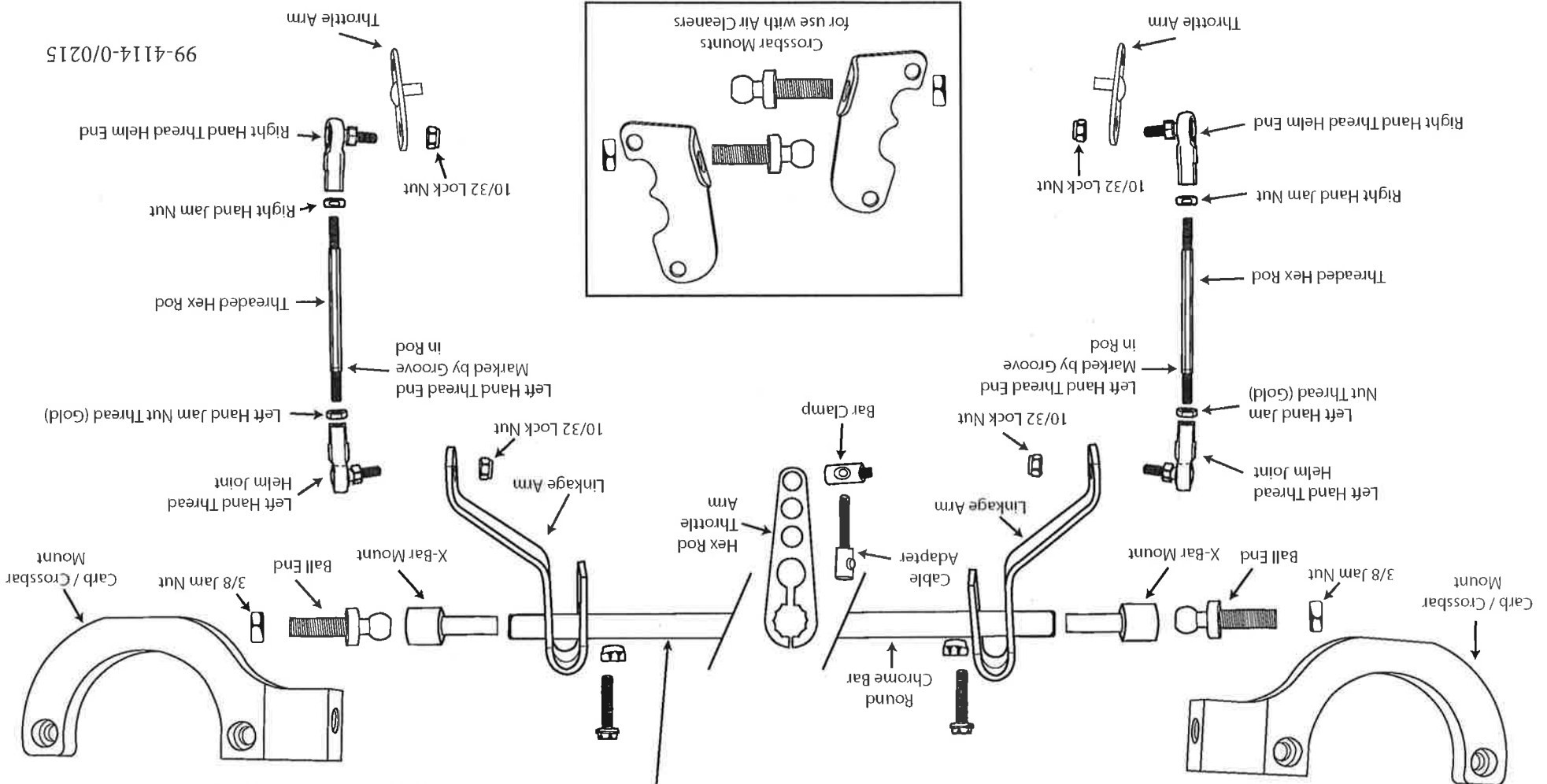


Center Bar can be Cut / Trimmed to Proper Wjdtth

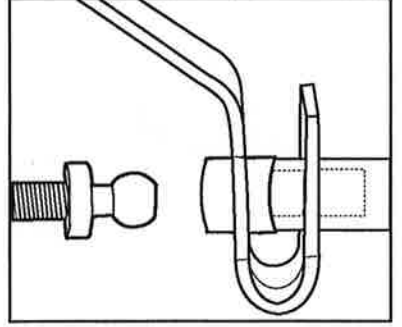
Carb / Crossbar Mount



99-4114-0/0215

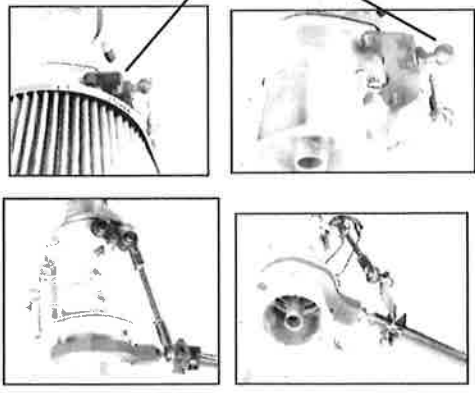


Clamp should tighten on both round bar and bar end to hold in place. Or bar end can be welded in place on bar after confirming proper width of bar.



Center Bar can be Cut / Trimmed to Proper Width

Use small brackets with air cleaners



Round X-Bar Linkage

