

## ONE PIECE WINDOW KIT INSTRUCTIONS

### TYPE 1 1965 ON

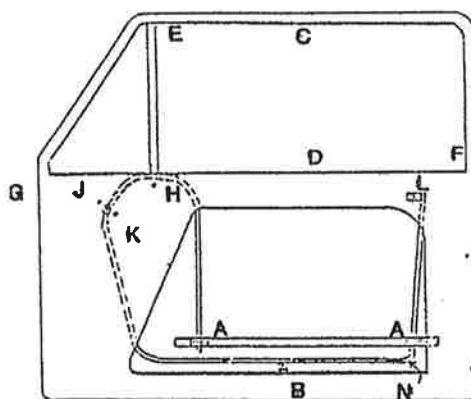
Please read everything carefully before doing anything. Though the kit is not impossible to install, it will take some time and patience on your part as it does require a good deal of modification to the doors of your car. The instructions may seem vague or hard to understand at times. We do want you to successfully install the kit, so if at any time you do have a question, please call.

Also be advised that since the installation does require some modification to your car, and is thus not a stock VW item,

## DIAGRAM

Installation requires:

10mm wrench or socket  
Phillips screwdriver  
Flat blade screwdriver  
Hammer and chisel  
Drill motor and small bits  
12 #6 Flat head screws (3/8" long)  
Thick tape  
Contact cement  
Small punch



- 1) Remove door handles by tapping out the set pin (1965-1967), or by unscrewing the window crank (1968 up).
- 2) Remove the door panel by inserting the flat bladed screwdriver behind the door panel, next to clip, and carefully pry it off a clip at a time.
- 3) Unbolt the stock doorglass from the regulator at (A) and remove the 10mm bolt at the bottom of the regulator (B) and remove the doorglass through the bottom of the door.
- 4) Remove the stock felt channel by prying it down at the division bar (C) and pull it all the way out.
- 5) Remove the stock felt, chrome, and rubber stripping from around the door where the glass slides (D) by sticking a screwdriver behind them and prying them off.
- 6) Remove the vent assembly by removing the screws at the top of the division bar (C) and the 10mm bolt just below the vent lock (E). This is all that holds the vent assembly, so grab the division bar and pull it out. The vent window will also come out at this time in the same manner. Also remove the rubber around the vent assembly at this time.
- 7) Inside the window slot (D), where the vent window was supported, you'll see two metal tabs spot welded together. Take a hammer and chisel and break loose the weld, then bend the tabs down and out of the way.
- 8) Remove the door stop that keeps the door from opening too far. It is located on the front side of the door (G). This has got to be removed to allow the glass to roll up and down freely.
- 9) At this time you should drill holes for the future installation of the felt strips. Using a drill bit smaller than the screws diameter drill about 6 holes 1/4" below the top of the door sill (D), on each level the holes are difficult to drill. If you make a starter hole with a punch or similar, it will help greatly. Take your time drilling and let the drill bit cut through on it's own. Because of the angle the holes will usually become enlarged or elongated, thus the use of a drill bit smaller than the screw hole you would ordinarily need. Don't install the felt at this time.

10) Install the U-shaped channel around the top of the door (C), by inserting the two ends through the top of the door and bending the channel to fit the contour of the door frame. Let the excess hang down inside the door as it will help the window roll straight up and down, especially at the back edge (F). Contact cement can be used to hold the channel in the door frame. The channel may not want to stay glued if you let it hang there by itself, so if you glue it in after the glass is installed you can roll the glass up and have it hold the channel in place while it dries.

11) Measure the distance from the back edge of the glass to the nearest edge of the metal regulator channel that's wedged onto the glass. If you don't write it down you'll probably forget it and have to measure it again. So, write it here \_\_\_\_\_.

Remove the metal channel from the bottom of the stock glass by sliding a hammer across the surface and knocking the channel off. Using either the material provided or the stock rubber strip install the regulator channel on the doorglass so it's facing the same direction as on the stock glass, and it's the same distance from the back edge (the measurement above).

12) Before installing the new glass in the door, put several strips of tape along the sides of the door (D) where the felt strips normally go. This will protect the glass against scratches while putting it into the door. If you can get your particular regulator channel through the door slot (D) with both felt strips in place, then go ahead and mount the felt strips in place (as in #13). While facing the inside of the door, insert the glass into the door by putting the front nose of the glass in through the window slot (D), and then lower it slowly into the door rotating the front nose upward as you go until the back edge clears the top of the door frame. Put the back edge of the glass into the U-channel and continue lowering until it's low enough to bolt up to the regulator. Be careful not to scratch the glass on the regulator on the way down. Now bolt the glass loosely in the regulator and the regulator loosely to the door at the bottom. To get enough room inside the door to lower the glass down and attach it, you may find it necessary to loosen the 10mm bolt that holds the regulator in the middle of the door. While supporting the glass with your hand and guiding it into the channel as you go, slowly roll up the window to check the fit.

It should seat up into the channel all the way around the door. If it doesn't then see if you can fix it by making an adjustment to the regulator. If the glass is too far to one side or won't roll up all the way, then you may have to move the glass in the regulator channel a little one way or the other.

13) Now that the glass rolls up all the way and fits up in the channel all the way around the door (it does doesn't?), you can mount the felt strips if you haven't already done so. Depending upon how far the glass will roll down, you may have to unbolt the glass from the regulator to get the screws into the felt. Remove the tape from the door and with the holes you drilled. Fasten the felt in place with the screws. Make sure the heads of the screws are sunk well below the surface of the felt. THEY WILL SCRATCH THE GLASS! You can now remount the door glass. At this time you may want to glue in the felt channel as you can roll up the glass to hold it while the channel dries.

14) Put your door panel and handles back on and you're almost through. Sometimes the windows will want to roll up to the inside of the car. To prevent this you can try crimping the inside part of the channel (F) towards the outside of the car to try and hold the window in the channel on the back edge as it rolls up. You may also try moving the glass and/or the regulator toward the outside edge of the door (F). If you find that the window rattles you can try keeping the excess channel that's down inside the door in constant contact with the glass. Also stock doorglass assemblies have little rubber blocks that attach to the regulator and ride on the glass surface. Installing these may solve the problem.