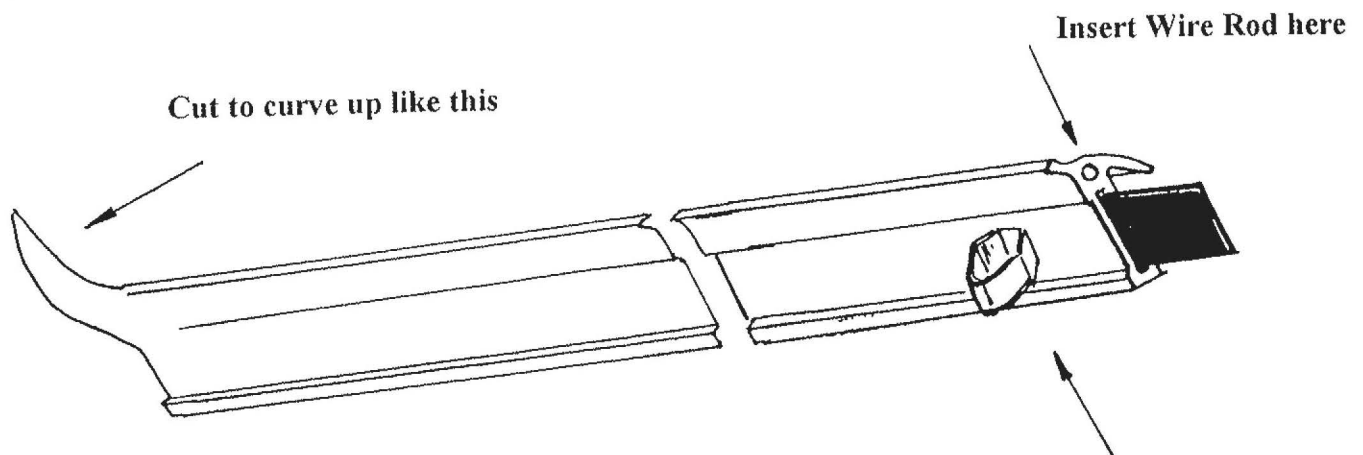


ONE PIECE WINDOW KIT (SNAP-IN SEALS)

Snap in seals have a separate metal strip which is inserted by the customer so that the rubber strip seals can be used for early or late cars, inner-or-outer. The metal strips differ as to the year of your car. Cars up to 1964 use the same metal strip for the inner and outer seals. Cars 1965 and up have two small hole and two large hole metal strips. The small hole strip metal goes on the outside of the door. The large hole strip metal goes on the inside of door. Flip the metal strip over before installing the metal clips. To make it fit the right or left door. Please use these simple instructions as a guide, only common sense will help. Do not cut or glue any of the pieces without reading instructions first.

1. We recommend you use EMPI Part #9771 Window Channels or something equivalent. Glue or screw new window channels to the door first. Then use a piece of masking tape and a marking pen, make a mark on the door below the sixth hole from the back of the door. Line up the mark with the center of the clip hole. Now hold the rubber seal up to the door and center it. Make a mark on it that lines up with the mark on the masking tape. Also mark each end of the rubber where it will start to bend upward to match the contour of the door. See illustration below. Using a single edge razor blade, trim the lower part of the rubber seal off on each end according to your mark so that it can turn upward more easily without kinking. Next hold the strip up to the door again and line up the marks. Trim off the ends to butt up against the window felt channel on each end.
2. Install the metal clips in the metal strips. Choose the metal strip that matches the hole pattern on your door. Install the metal clips into the metal strips using pliers to compress them. Please wear safety glasses during this procedure as the clip may fly off the pliers and injure your eye. Install clips in only the first seven holes. The eighth hole is not needed.
3. Lay the rubber seal on a table or flat surface with the grooves up to install the metal strips. Line up the six holes and then punch holes in the rubber so that the clip will go through the rubber. We recommend you use a paper hole punch to make the six holes. Lay a bead of black RTV silicone in the seals recessed area, starting at one end, insert the metal strip into the upper part of the rubber first. Using a small screwdriver hook the bottom edge of the rubber strip and flip it over the bottom edge of the metal strip or use your fingers to roll the rubber over the metal strip. It is easiest to do about 2 inch sections at a time. Wipe off excess silicone seal and let dry for a minimum of 24 to 48 hours.
4. Included in the hardware kit is 8 pieces of wire. These are used to stiffen the ends of the rubber strips so that they may curve up to match the contour of the door. Put a little oil on each wire and press it into the end of the rubber strip. If wire is too long, snip off with wire cutters.
5. Bend the ends of the rubber strips up until they match the contour of the door sills. They do not have to be exact, but as close as possible. The ends will be cemented to the door later. 99-4017-0 / 1114
6. Hold the finished seal in place lining up with the mark on the door. Start at the clip nearest the middle of the door. Using a broad tipped screwdriver, push on the rubber until you feel the first clip pop into place. If you have trouble finding where to push, just feel along the rubber with your fingers, you'll feel a bump in the rubber. Working in order from the middle of the door to the rear, pop in all the clips.
7. Use a good grade of contact cement to glue the ends of the rubber up to the door sill contour. Make sure the painted surface and the rubber surface are free from dirt and grease. Clean with lacquer thinner (or nail polish remover) if available. If you are using contact cement, apply the cement to both the paint and the rubber. Let dry about 5 minutes or longer, then press surfaces together. If you are using a slower drying adhesive such as 3M Weather-strip Adhesive, the procedure is different, and slightly more difficult. After applying adhesive, the seals must be held in place to dry. A piece of cardboard can be wedged in the glass slot to hold pressure against the seal, and masking tape used on the outside edge of the rubber to hold it in place until dry. Repeat this procedure for the other three seats.



Tape & Mask here for cutting out rubber