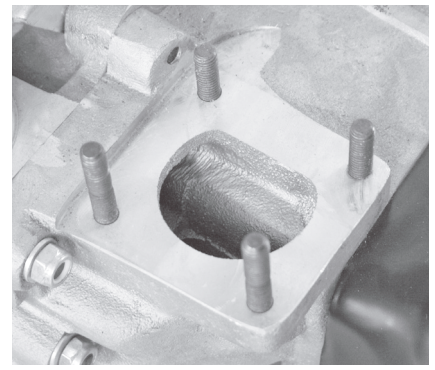


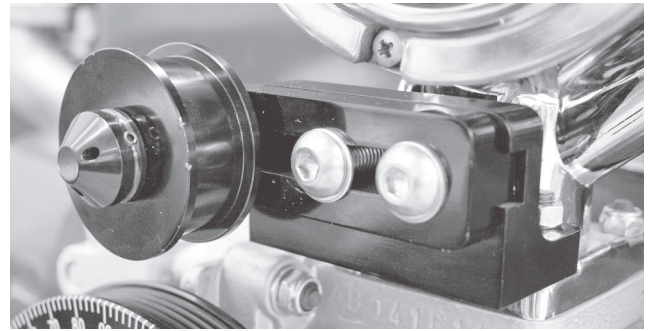


Serpentine Pulley Kit Installation Instructions

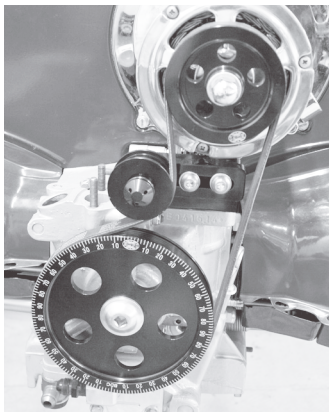
1. Remove the Alternator and Crankshaft pulleys.
2. Remove the Alternator and Stand.
3. Remove the 2 front Alternator Stand Studs.
4. Install the new Studs furnished in the kit. Thread them down completely into the case.
5. Re-install the Alternator stand and the new Idler Bracket. The ears of the bracket face down, with the Pulley facing to the left hand side of the motor. Tighten down with the 8mm-1.25 nuts and washers furnished. The nuts are 12mm wrench size heads for added clearance.
6. Re-install the Alternator.
7. Install the 1/8" large steel crank pulley spacer onto the end of the crankshaft. Install the Serpentine Crankshaft Pulley using the new Crank bolt and washer, Loc-tite the Crank bolt and torque to factory specs.
8. Install the Serpentine Alternator pulley using the small 1/8" thick Gen/Alt. spacer on shaft, new woodruff key, nut and washer that is furnished. Be sure to face the raised hub outward. Make sure that the woodruff key stays level in the groove as you install the pulley. Torque unit to factory specs.
9. Loosen the Idler pulley adjusting bolts and slide the Idler Pulley all the way to the left. Install Serpentine Belt and adjust, the Idler pulley will go on the outside of the belt and adjust inward to the right. Adjust the belt with approximately 3/8" side to side free play.
10. Remove the billet cover from the idler pulley by loosening the set screw with a #2 allen wrench exposing the idler shaft bolt. Tighten this bolt with a #6 allen wrench. Reinstall the billet cover and tighten the set screw.



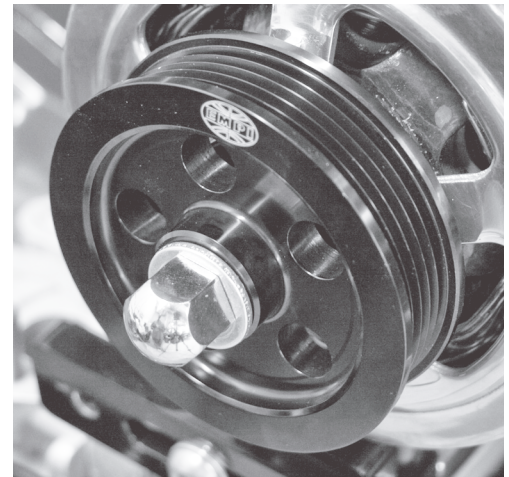
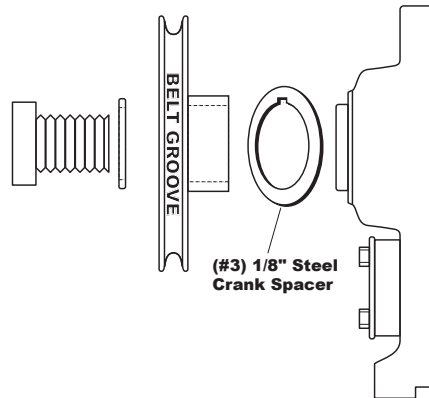
4. Install the new Studs furnished in the kit. Thread them down completely into the case.



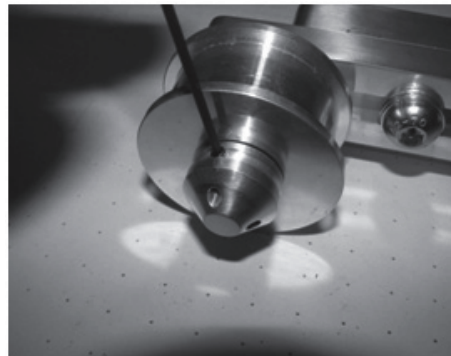
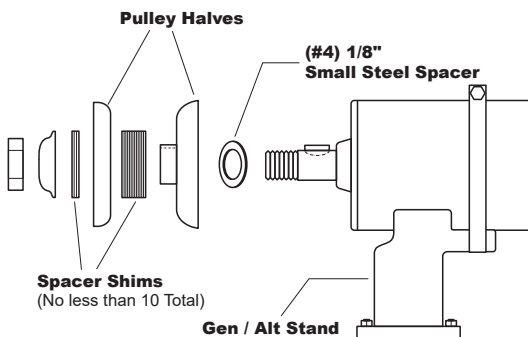
5. Re-install the Alternator stand and the new Idler Bracket. The ears of the bracket face down, with the Pulley facing to the left hand side of the motor.



Adjust the belt with approximately 3/8" side to side free play.



8. Install the Serpentine Alternator pulley. Be sure to face the raised hub outward.



10. Remove billet cover from the idler pulley by loosening the set screw with a #2 allen wrench.