

# 16-2510 and 16-2511 Micro-Stub Disc Brake Kit

## WARNING: FOR OFF-ROAD USE ONLY

Read all installation instructions and disclaimer of warranty provided with this product.

### Warning:

The EMPI/RACE TRIM Off Road Brake Kit ("Brake Kit") is designed for high performance, off-road racing applications only. Installation of the Brake Kit, or any component thereof, should only be performed by persons experienced in the installation and proper operation of disc brake systems. It is the responsibility of the person installing the Brake Kit, or any component thereof, to determine the suitability of the brake components for each particular application. The Brake Kit is comprised of the components listed below. It is the responsibility of the person installing the Brake Kit to be familiar with each component part, including all product insert materials relating to the component parts, before beginning any installation process.

Before operating vehicle, test the brakes under controlled conditions. Make several stops in a safe area from low speeds and gradually work up to normal driving speeds. **Do not drive on untested brakes! Always utilize safety restraint systems while operating vehicle.**

Racing component parts, including brakes, must be maintained and should be checked regularly for damage and wear and tear.

### Disclaimer of Warranty:

EMPI/RACE TRIM makes no warranties, whatsoever, expressed or implied, oral or written, to purchaser, with respect to the Off Road Brake Kit ("Brake Kit") and/or any component thereof. EMPI/RACE TRIM makes no warranty of merchantability or implied warranty of fitness to purchaser with respect to the Brake Kit and/or any component thereof. The purchaser agrees to take, select, and purchase said Brake Kit, including all components thereof, "as is" and "with all faults." Purchaser has full and complete opportunity to examine, at purchaser's leisure and convenience, the Brake Kit before purchasing and/or when contemplating purchasing said Brake Kit.

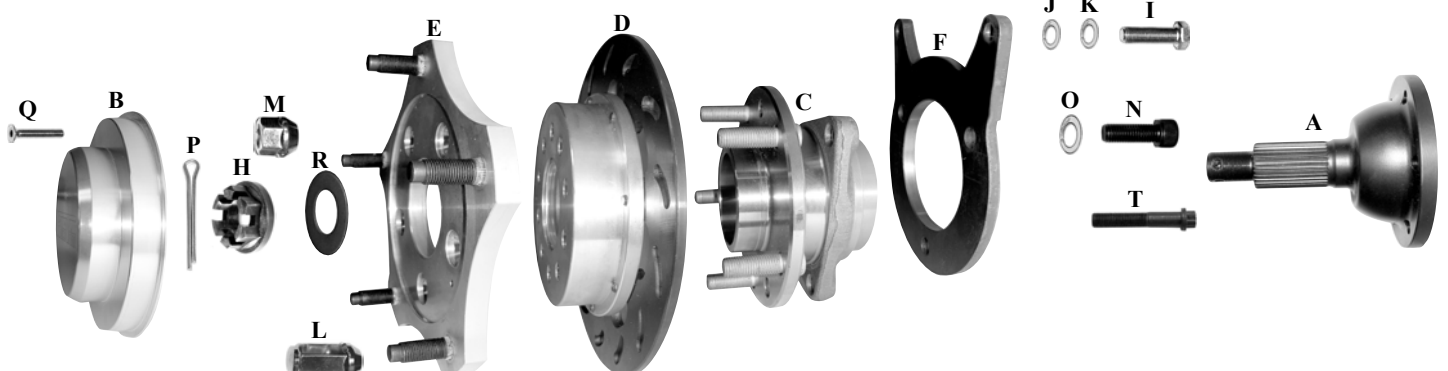
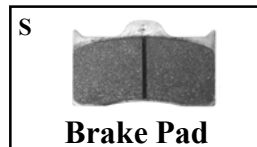
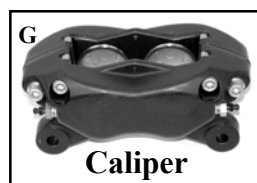
Purchaser acknowledges that due to the differing circumstances, conditions and applications under which the Brake Kit is installed and used, purchaser does not rely on EMPI/RACE TRIM's skill or judgment to select or furnish the proper Brake Kit, or any component thereof, for any particular application. Purchaser expressly affirms that purchaser is responsible for determining the suitability of the EMPI/RACE TRIM Brake Kit for the particular application.

If, and in the event, that purchaser expressly or impliedly makes representations, statements or affirmations of fact contrary to this disclaimer, the purchaser agrees to indemnify and hold harmless EMPI/RACE TRIM in the event any claim, demand or legal action is made against EMPI/RACE TRIM arising in connection with such representation. If, and in the event, that purchaser improperly installs said Brake Kit and/or any component thereof, purchaser agrees to indemnify and hold harmless EMPI/RACE TRIM in the event any claim, demand or legal action is made against EMPI/RACE TRIM arising in connection with the improper installation.

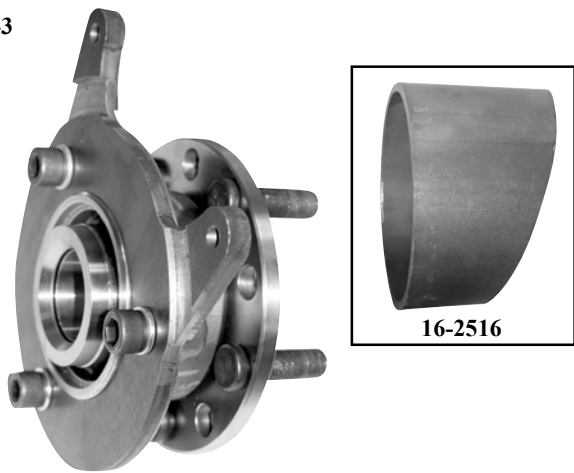
No person, including an officer, director, employee, agent, salesman, or affiliate of EMPI/RACE TRIM, has authority to make any representations, statements, or affirmations of fact contrary to the terms set forth in this disclaimer. EMPI/RACE TRIM disavows any statements or representations contrary or inconsistent with this disclaimer.

### Installation Instructions:

- |                                   |                                |
|-----------------------------------|--------------------------------|
| A. (2) Micro-Stubs                | K. (4) 3/8 Lock Washers        |
| B. (2) Center Caps                | L. (10) Chrome 14mm Lug Nuts   |
| C. (2) Hub/Bearing Assemblies     | M. (10) 14mm Open End Lug Nuts |
| D. (2) Brake Rotor/Hat Assemblies | N. (6) 12mm Socket Screws      |
| E. (2) Wheel Adapters 5/205       | O. (6) 12mm Lock Washers       |
| F. (2) Caliper Mounting Brackets  | P. (2) Cotter Pins             |
| G. (2) Brake Calipers             | Q. (4) 10-24 Socket Screws     |
| H. (2) Axle Nuts                  | R. (2) Thrust Washers          |
| I. (4) 3/8-24 x 2 Bolts           | S. (4) Brake Pads              |
| J. (4) 3/8 Flat Washers           | T. (12) C.V. Bolts             |

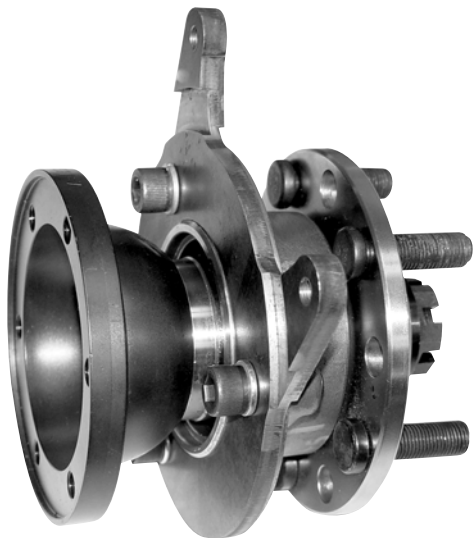


### Step 1-3



1. Your first procedure is to decide how you are going to mount your brakes to your car. There are a few options.
  - 1A. The caliper mounting bracket is going to be bolted to the hub assembly. You may decide to purchase the race trim mount tube P/N: 16-2516. This is the most common choice. It is an angle cut tube, that welds directly to the caliper mounting bracket. The bracket has a receiver groove machined into it to insure a flush and strong fit after it is welded. Once in place you can attach the appropriate tabs and hardware that will integrate your brakes into your suspension.
  - 1B. You may also choose to mount directly to the caliper mounting bracket itself via welding or bolts. It is recommended to mount the caliper in the 12:00 o'clock position due to the fact that the caliper has bleeder screws on both ends.
2. Once you have decided how to attach your brakes to your car you are ready to begin assembly.  
Bolt the center hub assembly to the caliper mount bracket. (Groove for the mount tube facing away from the hub). Use the 12 mm socket head bolts and lock washers that are furnished. Use a thread locker sealent, and torque to 60 ft. lbs.
3. At this point you should mount the assembly onto the car.

### Step 4



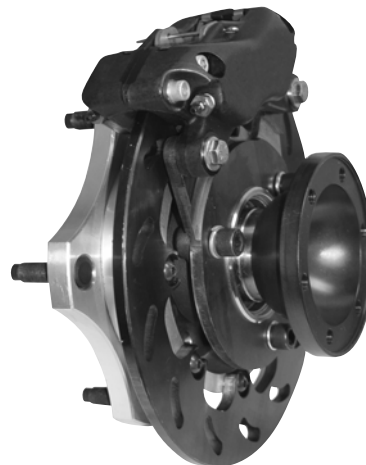
4. Once mounted, install the chromoly micro-stub through the hub assembly. Install both the thrust washer and axle nut then torque to 250 ft. lbs. **Use of impact wrench may damage unit.** Once torqued insert cotter pin.

### Step 5



5. Slide the aluminum rotor / hat assembly over the wheel studs - rotor inboard. Followed by the 5/205 aluminum wheel adapter, studs facing out, and secure them with the 14 mm open end lug nuts that are supplied. Torque to 65 ft lbs.

### Step 6



6. With the rotor secure you can now install your caliper. First install the fitting you have chosen for your brake lines, using Teflon tape on the threads. The caliper is threaded for 1/8 NTP. Next install the brake pads through the top of the caliper and secure with the cotter pin. Slide the caliper over the rotor and bolt it to the mounting bracket with the 3/8"-24 bolts, flat and lock washers that are supplied. Use a thread locker sealent and torque to 35 ft lbs.

### Step 7



7. Install your center lug cover cap with the 10-24 socket head screws provided.
8. You are now ready to repeat this installation on the other side of the car.
9. Once you have completed the installation and have hooked up your brake lines you will need to bleed the system. Calipers should be in a vertical position with bleeder screws pointing up.
10. You are now ready to bolt on your C.V. Joints and drive axle assemblies.
11. It is recommended to use top quality EMPI C.V. boots, joints, flanges and axles to complete your installation

## WARNING: FOR OFF-ROAD USE ONLY

Read all installation instructions and disclaimer of warranty provided with this product.