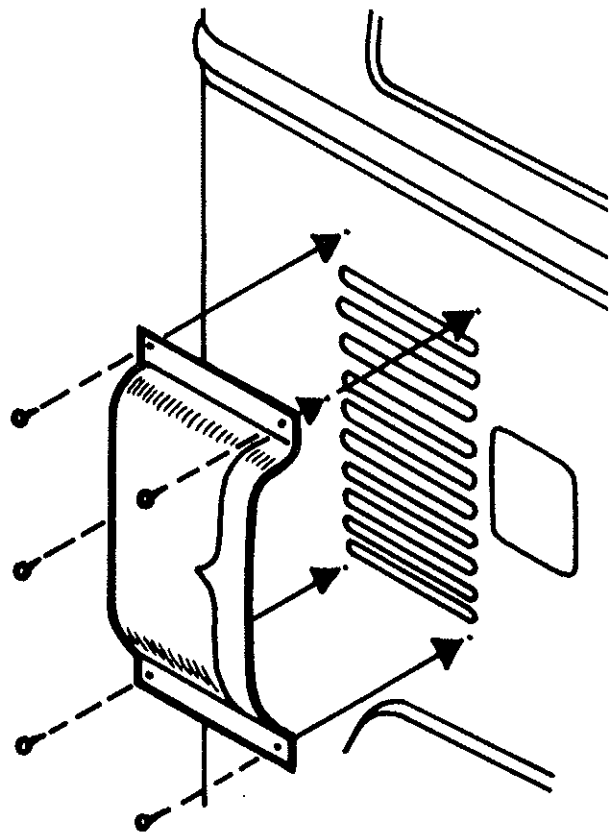
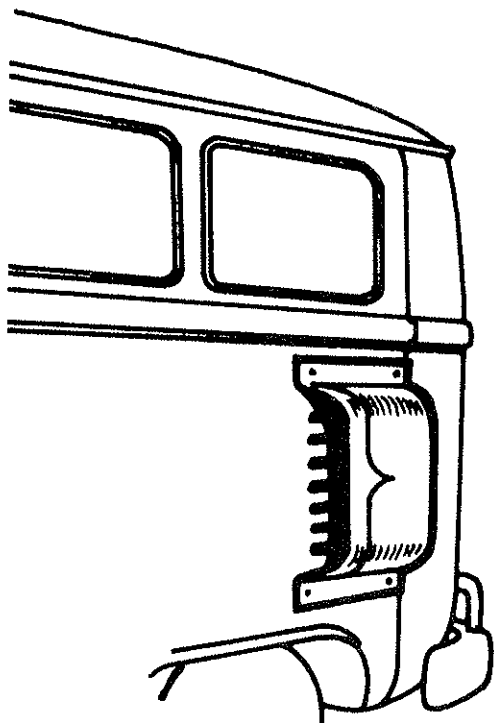


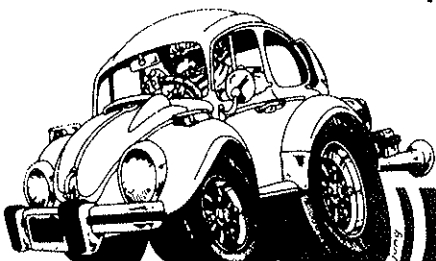
BUS SCOOP

TRANSPORTER PERFORMANCE SCOOP '67 AND EARLIER

- INCREASE ENGINE PERFORMANCE
- BETTER COOLING
- DURABLE MATERIAL
- EASY INSTALLATION
- ENHANCE APPEARANCE



- ATTACH TO VENT AREA WITH FIVE SCREWS
USE 1/8" DRILL BIT



PART No. 4212